

TYPICAL WATER SYSTEM

INSTALLATION INFORMATION

2-WAY GALLEY HAND PUMP

Model No. 016130AZ

The Attwood Galley Hand Pump is an efficient, low cost, water pump designed to satisfy the needs of the boatman or recreational vehicle owner for an attractive and functional source of fresh water. In addition to its use as a hand water pump, it doubles as an ordinary faucet where water pressure (either from a pump or city water) is available. Simply turning the knob serves to control the flow of water from the tap.

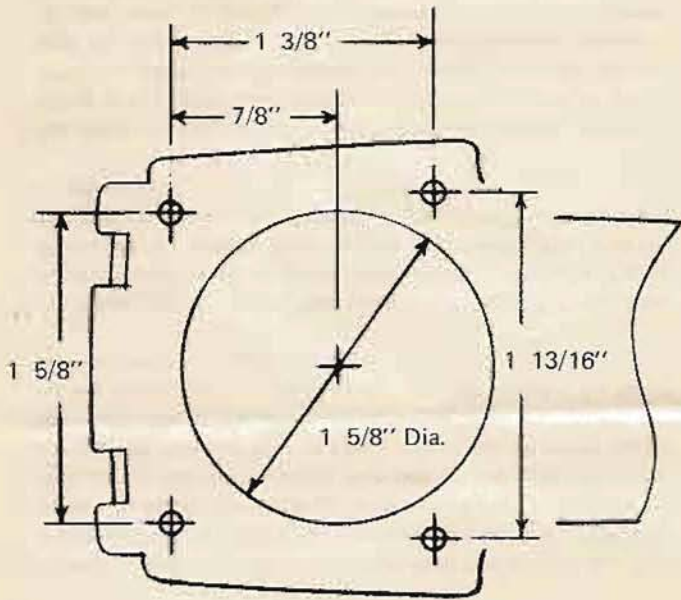


ATTWOOD CORPORATION

Lowell, MI 49331

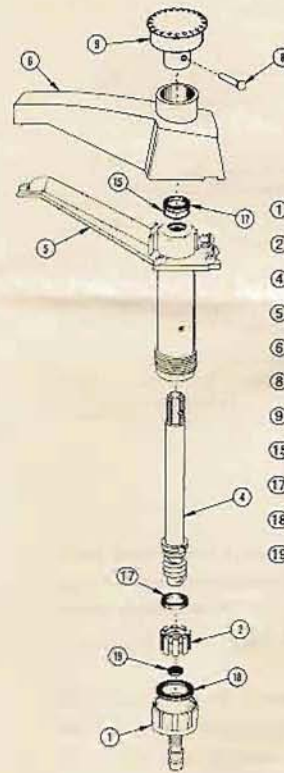
REPLACEMENT PARTS

All replacement parts should be ordered directly from Attwood Corp., P.O. Box A, Lowell, MI 49331.



MOUNTING TEMPLATE

FIG. 1



2-Way Galley Hand Pump 016130AZ

| Part No. | Description | Price |
|------------|------------------------|--------|
| ① 910260AZ | Bottom Cap | \$1.50 |
| ② 910261AZ | Plunger Nut | .75 |
| ④ 910263AZ | Pump Plunger | 1.50 |
| ⑤ 910505AZ | Faucet Base and Casing | 5.00 |
| ⑥ 910268AZ | Faucet Cover | 3.00 |
| ⑧ 910266AZ | Faucet Knob Pin | .25 |
| ⑨ 910269AZ | Faucet Knob | 1.00 |
| ⑮ 9153H00Z | "O" Ring Seal | 1.00 |
| ⑰ 9190H00Z | "U" Cup Pump Seal | .75 |
| ⑱ 9190J00Z | Pump Base Gasket | .75 |
| ⑲ 910270AZ | Check Valve Disc | .35 |

MAINTENANCE

The only maintenance required on the faucet is to drain the unit during the winter months when not in use.

Draining the unit can easily be accomplished by removing the water connection at the bottom and pumping the unit 2 or 3 times to pump out any excess water. If the water connection is inaccessible, the water supply tank should be pumped out completely, or a non-toxic anti-freeze should be added to the water and circulated according to the manufacturer's instructions.

Take care when cleaning the faucet as not to use abrasive cleaning compounds, as these may damage the chromed parts. Any mild soap, detergent, or non-abrasive household cleaner will suffice.

MANUFACTURER'S LIMITED WARRANTY

We warrant that this product has been thoroughly tested and is ready for use as recommended, provided that the enclosed instructions are followed. If your unit does not operate, we promise to make a no-charge replacement if the facts are reported and the unit is returned to your dealer or to the manufacturer within one year of purchase.

This warranty does not cover abuse, corrosion, use in a commercial application, units that have been dismantled, the cost of transportation, or damage to hoses and other accessories.

Exclusion and Limitations:

The foregoing warranty is the sole and exclusive warranty made with respect to the purchased product. Any applicable implied warranties, including the implied warranty of merchantability, shall be limited to a period of one year from date of purchase and in no event shall the manufacturer be liable for special or consequential damages or for any costs or expenses beyond the cost of replacement or repair of the purchased product.

How to Secure Replacement Under the Warranty:

To secure replacement or repair, defects in your unit must be reported to the manufacturer within the one year warranty period together with your dated sales slip or other evidence of your purchase date. Send your defective unit to ATTWOOD CORP., Customer Service Dept., P.O. Box A, Lowell, MI 49331. Repair or replacement shall be made at the discretion of the manufacturer as soon as possible following inspection of the unit and verification of your purchase date.

INSTALLATION

The faucet can be mounted in any suitable location provided there is at least 2 3/16" clearance from front to back and 6 1/2" from the bottom inlet to the counter top. The mounting hole dimensions and screw layout are shown in Fig. 1. Layout of the mounting holes can be facilitated by cutting out the template of Fig. 1 and pasting it to the proposed mounting surface.

In order to mount the faucet, the cover must first be removed. This is accomplished by completely unscrewing the knob and lifting the plunger to expose the knob pin as shown in Fig. 2. Remove the knob pin by pushing it out and then take off the knob. The cover can now be removed by inserting a screwdriver or similar object into either one of the slots located on the back of the unit. By turning the screwdriver, the cover will snap off, exposing the faucet base and the screw mounting holes.

The faucet can now be fastened using four No. 6 x 3/4" pan head or round head wood or sheet metal screws as shown in Fig. 2. Reassemble the unit by first snapping on the cover, then inserting the knob on the plunger. Replace the pin in the knob and the unit is ready to use.

The water connection can now be made using either 3/8" I.D. tubing or 1/4" pipe female connection. If tubing is used, be sure to fasten the tubing securely with a hose clamp. If a pipe fitting is used, the hose barb should be cut off. Use caution when tightening the pipe fitting, as over tightening may damage the plastic threads. Moderate tightening is all that is required to insure a good seal.

When the unit is connected to a source of water pressure, it will respond as an ordinary faucet. Water flow may be started or stopped simply by opening or closing the faucet knob.

The hand pump may be operated by completely unscrewing the knob (about 4 full turns) and operating it up and down to draw fresh water from the supply tank. It is not necessary to screw the knob back down after each use.

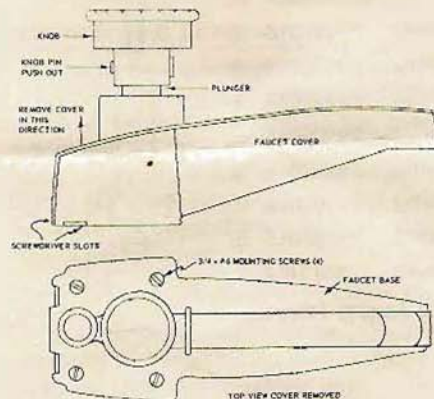


FIG. 2